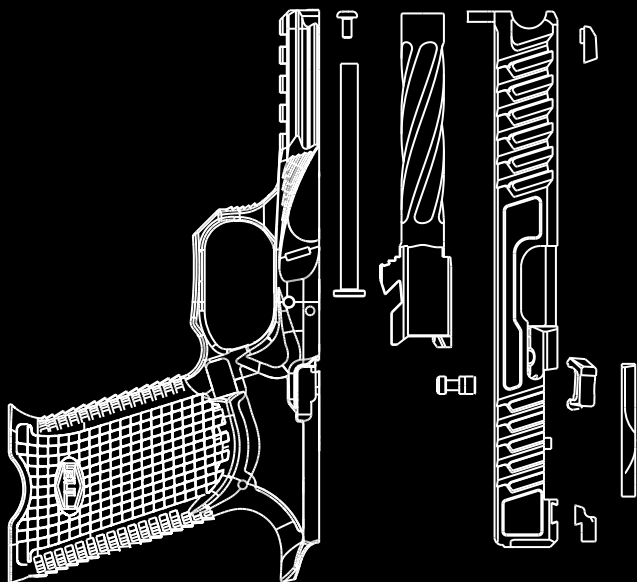




# BUL ARMORY

**AXE C / FS OWNER'S MANUAL  
CLEAVER / HATCHET / TOMAHAWK**



## TABLE OF CONTENTS

Safety information.....	1-2
Pistol nomenclature.....	3
Exploded drawing.....	4
Component parts.....	4-5
Safety features.....	6-8
Loading.....	9-10
Firing.....	11
Unloading and safety check.....	12-13
Disassembly.....	14-19
Reassembly.....	19-21
Axe Tomahawk Optic Ready System.....	22-23
Warranty agreement.....	24
State required Safety Warnings.....	25-27

## **IMPORTANT SAFETY INFORMATION :**

Read and UNDERSTAND this manual BEFORE using this firearm. If you lend, give or sell this pistol make sure the manual is included with it.

**FAILURE TO READ THESE INSTRUCTIONS AND TO FOLLOW THESE WARNINGS MAY RESULT IN SERIOUS INJURY OR DEATH TO YOU AND OTHERS AND DAMAGE TO PROPERTY.**

If you are unfamiliar with firearms you should seek formal training before using your pistol.

## **GENERAL SAFETY WARNINGS:**

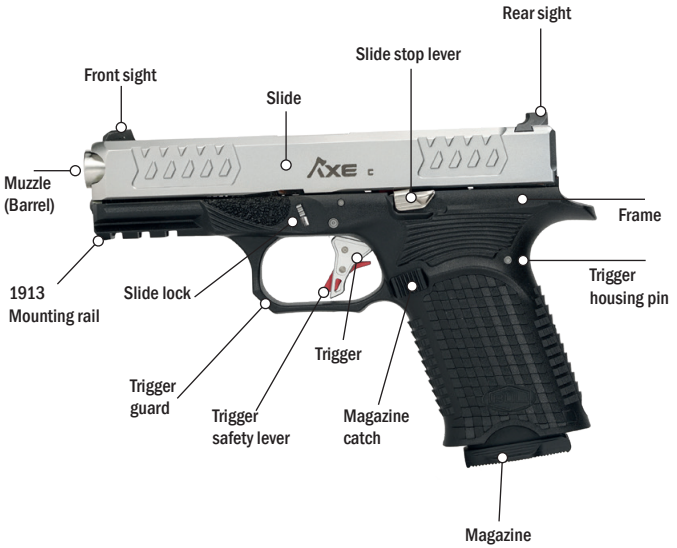
1. Always treat the firearm as if it is loaded.
2. Always keep the firearm pointed in a safe direction.
3. Always keep your finger straight and off of the trigger until you are ready to shoot.
4. Always wear eye and hearing protection that is specified for use with firearms.
5. Always keep the firearm unloaded until you are ready to use it.
6. Always use the correct ammunition for your specific firearm.
7. Always have adequate ventilation, shooting your firearm in a poorly ventilated environment can cause exposure to lead. Always wash your hands after shooting your firearm, cleaning your firearm or handling ammunition.

8. Never point the firearm at anything you don't intend to destroy.
9. Never use alcohol or drugs before or while using your firearm.
10. Never store your firearm loaded.
11. Never transport a loaded firearm.
12. Never store or transport ammunition in the same container as your firearm.
13. Never modify or alter your Bul Armory firearm as this may affect the safety and reliability of your firearm and may cause serious injury to yourself and others.
14. Never carry your firearm out of a suitable holster with a cartridge in the chamber.
15. Beware of barrel obstructions. Be sure the barrel is clear of obstructions before shooting. Mud, water, snow or other objects may inadvertently lodge in the barrel bore. This may damage your firearm and cause serious injury to yourself and others.

## **YOUR FIREARM IS YOUR RESPONSIBILITY!**

You must prevent your firearm from being stolen or being used by unqualified individuals. Keep it locked, unloaded and secured when not in use.

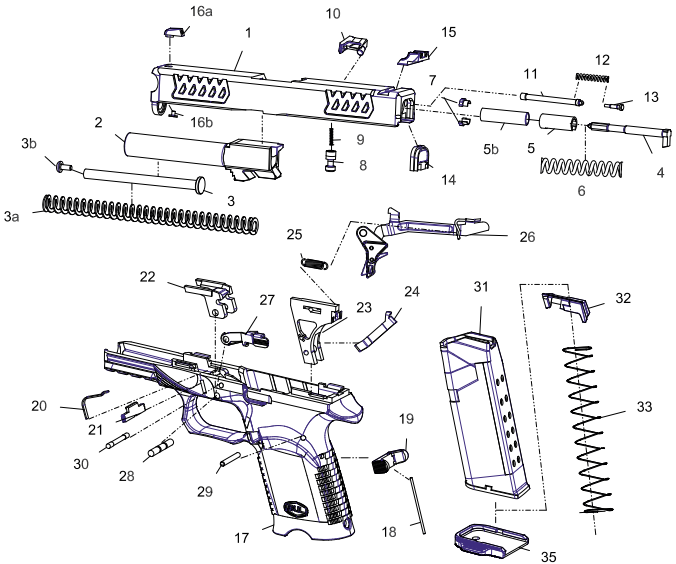
# PISTOL NOMENCLATURE:



The photographs and drawings in this owner's manual reference the AXE-C Cleaver model. Unless specified otherwise they are equally applicable to other models and or variants of the AXE platform.

The part numbers referenced in parenthesis throughout this manual correspond to the list of component parts and exploded drawing on pages 4-5

# EXPLODED DRAWING OF AN AXE-C CLEAVER



## COMPONENT PARTS

- 1.Slide
- 2.Barrel
- 3.Guide rod
- 3a.Recoil spring
- 3b.Guide rod screw
- 4.Firing pin
- 5.Spacer sleeve
- 6.Firing pin spring
- 7.Spring cups
- 8.Firing pin safety
- 9.Firing pin safety spring Magazine floor pate

- 10.Extractor
- 11.Extractor depressor plunger
- 12.Extractor depressor plunger spr
- 13.Spring-loaded bearing
- 14.Slide cover plate
- 15.Rear sight
- 16a.Front sight
- 16b.Front sight screw
- 17.Frame
- 18.Magazine catch spring
- 19.Magazine catch
- 20.Slide lock spring
- 21.Slice lock
- 22.Locking block
- 23.Trigger mechanism housing with ejector
- 24.Connector
- 25.Trigger bar spring
- 26.Trigger with trigger bar
27. Slide stop lever assembly
- 28.Trigger pin
- 29.Trigger housing pin
- 30.Locking block pin
- 31.Magazine tube
- 32.Follower
- 33.Magazine spring
- 34.Magazine insert
- 35.Magazine floor plate

## **SAFETY FEATURES**

**1.Trigger safety Lever:** The trigger safety lever is incorporated into the trigger (26). When the trigger safety lever is in the forward position it blocks the trigger from moving rearward. The trigger safety lever and the trigger must be fully depressed at the same time to fire the pistol. The trigger safety lever is designed to protect against firing if the pistol is dropped or the trigger is subjected to lateral pressure.

**2.Firing Pin Safety:** The firing pin safety (8) mechanically blocks the firing pin (4) from moving forward in the ready to shoot condition. As the trigger is pulled rearward the trigger bar pushes the firing pin safety up and frees the firing pin channel. If the user decides not to fire and releases the trigger, the firing pin safety automatically reengages.

**3.Drop-Safety:** The trigger bar rests on the safety ramp within the trigger mechanism housing. The trigger bar engages the rear portion of the firing pin (4) and prevents the firing pin from moving forward.

As the trigger (26) is pulled rearward the trigger bar lowers down the safety ramp and allows the release of the firing pin. After firing, the trigger bar moves upward and reengages the firing pin .



4. Loaded chamber indicator: The extractor (10) serves as a loaded chamber indicator (Picture 1) to comply with the laws of certain states and its position may visually and physically indicate whether there is a cartridge in the chamber of the pistol. When the chamber is unloaded the extractor is depressed (Picture 2) and when the chamber is loaded the extractor protrudes from the slide (Picture 3).



## **WARNING!**

- Your AXE pistol does not have a conventional manual safety and it will fire if the trigger is pulled when there is a cartridge loaded in the chamber.
  - Although the AXE pistols have several internal design features and mechanical safeties designed to prevent an unintentional discharge, if the pistol is dropped or hit, or if your AXE pistol is subjected to unusual and extreme forces a part failure can occur. Therefore, safe firearm handling practices and the instructions and safety warnings in this manual must always be followed to minimize the risk of a negligent discharge.
  - In case any of your AXE pistol's safeties prove to be ineffective for any reason, the possibility of an unintentional discharge exists.
- If so, immediately unload your AXE pistol and do not use it again until it has been examined by your regional Bul Armory distributor or certified gunsmith.

# LOADING

To load your AXE magazine, press each cartridge into the magazine from the front with the cartridge bottom first, (Pictures 4-5). Insert the magazine into the magazine well/grip until the magazine catch (19) locks into place (Picture 6) securely.



If the slide (1) is in the forward position, hold your pistol with your firing hand and while keeping your finger off of the trigger, grasp the rear portion of the slide with your other hand and pull the slide fully back (Picture 7) and then release it, allowing it to return to the fully forward position (Picture 8). Your AXE is now loaded and ready to be fired.



## **WARNING!**

Do not use reloaded, remanufactured, or handloaded ammunition as it may not meet applicable SAAMI, CIP or NATO standards and could cause death, serious personal injury, and/or property damage.

Only use high quality commercially factory manufactured ammunition in the same caliber as your firearm.

## FIRING

When the firearm is loaded with a cartridge in the chamber, it can be fired by pulling the trigger (26) fully to the rear. After firing the last cartridge in the magazine, the slide (1) will remain locked open in the rearward position (Picture 9).



## UNLOADING AND SAFETY CHECK

To unload your AXE pistol, follow the instructions below:

1. Remove the magazine by pressing the magazine catch (19) (Picture 10).

2. Hold your pistol with your firing hand and while keeping your finger off of the trigger (26), grasp the rear portion of the slide with your other hand and pull the slide (1) fully back to eject any cartridge that may be in the chamber (Picture 11).



3. Lock the slide in the rearward position by pushing up on the slide stop lever (27) and slowly release the slide from the fully rearward position until it locks in the open position.

4. Once the slide is locked to the rear, both visually (Picture 12) and physically (Picture 13) inspect both the chamber and the magazine well of the pistol to be sure that no cartridges remain in the firearm.



5) Release the slide to return it to the forward/closed position by either pressing the slide stop lever down or grasping the rear portion of the slide with your other hand and pulling the slide fully back and then release it.

6) With the muzzle of your firearm pointed to a safe direction pull the trigger.

# DISASSEMBLY

To disassemble (field stripping) your AXE pistol for cleaning, follow the instructions below. To do so safely, disassembly **MUST** be performed in the following order:

1. Remove the magazine by pressing the magazine catch (19) (Picture 16).

2. Hold your pistol with your firing hand and while keeping your finger off of the trigger (26), grasp the rear portion of the slide with your other hand and pull the slide (1) fully back to eject any cartridge that may be in the chamber. (picture 17)





3.Lock the slide in the rearward position by pushing up on the slide stop lever (27) and slowly release the slide from the fully rearward position until it locks in the open position. (picture 18)

4.Once the slide is locked to the rear, both visually and physically (Picture 19) inspect both the chamber and the magazine well of the pistol to be sure that no cartridges remain in the firearm.



5.Release the slide to return it to the forward/closed position by either pressing the slide stop lever down or grasping the rear portion of the slide with your other hand and pulling the slide fully back and then release it.

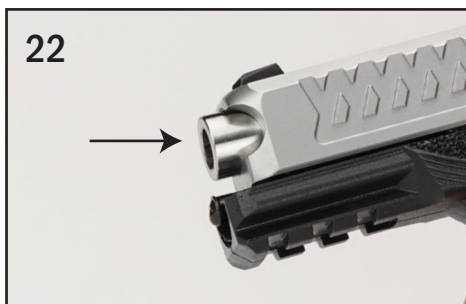
6. With the muzzle of your firearm pointed to a safe direction pull the trigger. (The trigger must be in the rearmost position to remove the slide) (Picture 20).



7. Hold your AXE pistol with your firing hand and with your fingers across the top of the rear of the slide in front of the rear sight and your thumb on the rear of the frame (Picture 21).



8. Using your fingers, retract the slide (1) about 1/8 in. / 3mm and hold it in this position (Picture 22). (Note: If you pull the slide too far to the rear, it will reset the pistol's trigger to the forward position. If this happens, pull the trigger again while keeping the muzzle of your firearm pointed in a safe direction.

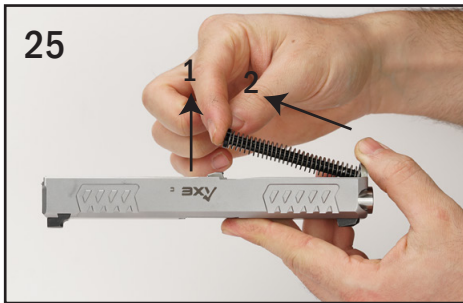


9. Using the thumb and index finger of your non firing hand, pull the slide lock (21) down on both sides (Picture 23).

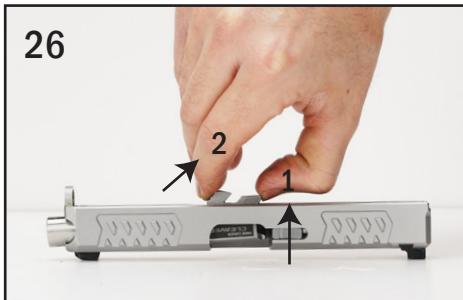


10. While holding the slide lock down, push the slide forward and off of the frame (Picture 24).

11. Press the recoil spring assembly (3) toward the front of the slide while pulling it up to remove it from the slide (Picture 25).



12. Holding the barrel by the barrel locking cams, lift it and push it toward the front of the slide and then pull it up and toward the rear to remove it from the slide (Picture 26).

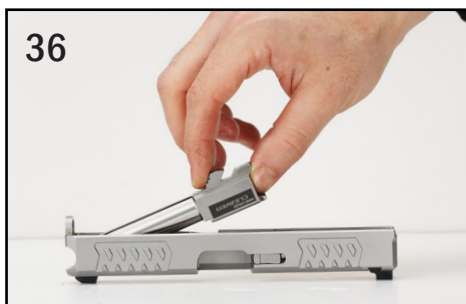




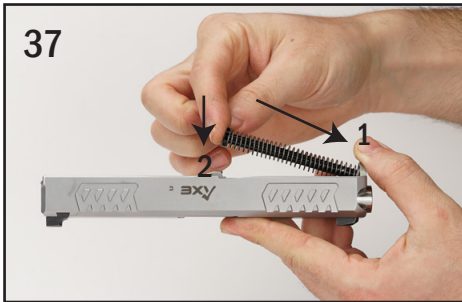
13. Your AXE pistol is now disassembled (field stripped) and ready to be cleaned.

## REASSEMBLY

1. Holding the barrel (2) by the barrel locking cams, insert it into the slide (1) by pushing it down and in (Picture 36).



2. Insert the recoil spring assembly (3) into the slide by placing the small end of the recoil spring assembly in the indentation in the front of the slide and pressing the other end of the recoil spring assembly towards the front of the slide to compress the spring and pushing down until the large end of the recoil spring assembly rests in the second (semi-circular) notch on the barrel locking cams (Pictures 37-39).



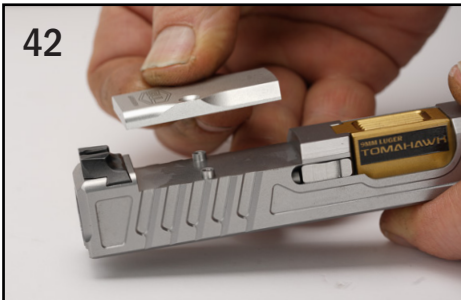
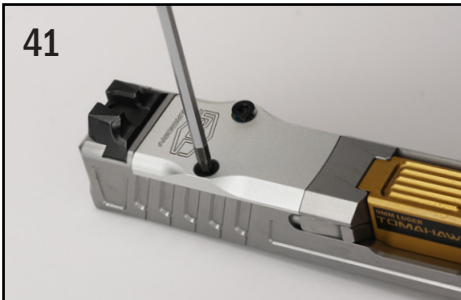
3. Holding the frame in your firing hand, with your finger off of the trigger and outside of the trigger guard, place the slide on top of the frame (17) in front of the slide rails and push the slide towards the back of the frame until the slide lock (21) snaps up to lock the slide into place (Picture 40).



## AXE TOMAHAWK OPTIC READY SYSTEM

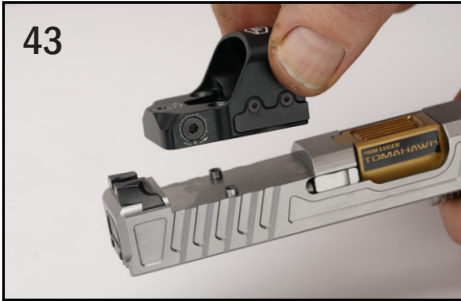
The AXE Tomahawk model is equipped with an optic ready system that uses the Trijicon RMR® footprint. Any optic sight that shares this footprint should mount directly to your slide. To install an optic sight on your AXE pistol, follow the instructions below.

1. Remove the optic cover plate from the slide by unscrewing the two screws using a T15 torx key (picture 41-42)





2. Place your optic sight on the slide as shown below.  
(picture 43)



3. Using the appropriate screws that were provided with your optic sight, tighten the side down onto the slide.  
(picture 44-45)



4. Follow the instructions provided with your optic sight for the correct use procedure and zeroing of the sight.

## **BUL ARMORY LIMITED 1 YEAR WARRANTY AGREEMENT**

BUL Armory has proudly manufactured specialized custom-made handguns for many years. Our guns are built to the highest standards with a strict quality control process to ensure that our product will leave our factory at the highest quality of craftsmanship.

BUL Armory will service any defect in material or functioning of the pistol, caused under normal use, for one full year from the purchase date.

BUL Armory will repair or replace defective parts according to our own discretion after a thorough evaluation of each claim.

Shipping and handling of the pistol to our service center and back will be the customer's responsibility.

Warranty for coating will be valid for 6 months for the original owner only for defects, this excludes damages from wear and tear, and/or abuse.

Warranty will not be valid in the following cases:

- Improper use or abuse of the pistol or its parts
- Improper use of ammunition (use of improper or reloaded ammunition or hand-loaded ammunition will void the warranty).
- Lack of maintenance or negligence of the pistol.
- Any change of parts of the pistol (including cosmetics) or service made by someone other than BUL Armory.
- Damages caused by normal wear and tear.
- The use of a non-original factory magazine.

BUL Armory will not be held responsible for any damages or expenses directly or indirectly accrued due to this warranty.

BUL Armory will not be responsible for any damage or malfunction to any accessory or item attached to the pistol, or related to it.

BUL Armory reserves its right to charge for any repair not covered by this warranty. This warranty is not transferable to any other person but the original buyer.

Please feel free to contact us anytime for additional information and inquires

USA contact: [usa@bularmory.com](mailto:usa@bularmory.com)

Worldwide contact: [yonel@bularmory.com](mailto:yonel@bularmory.com)

## STATE REQUIRED SAFETY WARNINGS

Certain states have laws requiring that specific warnings be provided with handguns sold in those states. Because Bul Armory firearms are sold in most states, the safety warnings required by all states are included in this owners manual.

### CONNECTICUT:

"UNLAWFUL STORAGE OF A LOADED FIREARM MAY RESULT IN IMPRISONMENT OR FINE."

### FLORIDA:

"IT IS UNLAWFUL, AND PUNISHABLE BY IMPRISONMENT AND FINE, FOR ANY ADULT TO STORE OR LEAVE A FIREARM IN ANY PLACE WITHIN THE REACH OR EASY ACCESS OF A MINOR UNDER 18 YEARS OF AGE OR TO KNOWINGLY SELL OR OTHERWISE TRANSFER OWNERSHIP OR POSSESSION OF A FIREARM TO A MINOR OR A PERSON OF UNSOUND MIND."

### MAINE:

"ENDANGERING THE WELFARE OF A CHILD IS A CRIME. IF YOU LEAVE A FIREARM AND AMMUNITION WITHIN EASY ACCESS OF A CHILD, YOU MAY BE SUBJECT TO FINE, IMPRISONMENT OR BOTH. KEEP FIREARMS AND AMMUNITION LOCKED UP. USE TRIGGER LOCKS

### MARYLAND:

WARNING: "CHILDREN CAN OPERATE FIREARMS WHICH MAY CAUSE DEATH OR SERIOUS INJURY. IT IS A CRIME TO STORE OR LEAVE A LOADED FIREARM IN ANY LOCATION WHERE AN INDIVIDUAL KNEW OR SHOULD HAVE KNOWN THAT AN UNSUPERVISED MINOR WOULD GAIN ACCESS TO THE FIREARM. STORE YOUR FIREARM RESPONSIBLY!"

**MASSACHUSETTS:**

**"WARNING FROM THE MASSACHUSETTS ATTORNEY GENERAL:**

**This handgun is not equipped with a device that fully blocks use by unauthorized users. More than 200,000 firearms like this one are stolen from their owners every year in the United States. In addition, there are more than a thousand suicides each year by younger children and teenagers who get access to firearms. Hundreds more die from accidental discharge. It is likely that many more children sustain serious wounds, or inflict such wounds accidentally on others. In order to limit the chance of such misuse, it is imperative that you keep this weapon locked in a secure place and take reasonable preventive steps necessary to limit the possibility of theft or accident. Failure to take reasonable preventative steps may result in innocent lives being lost, and in some circumstances may result in your liability for these deaths. " "IT IS UNLAWFUL TO STORE OR KEEP A FIREARM, RIFLE, SHOTGUN OR MACHINE GUN IN ANY PLACE UNLESS THAT WEAPON IS EQUIPPED WITH A TAMPER-RESISTANT SAFETY DEVICE OR IS STORED OR KEPT IN A SECURELY LOCKED CONTAINER."**

**NEW JERSEY:**

**"IT IS A CRIMINAL OFFENSE TO LEAVE A LOADED FIREARM WITHIN EASY ACCESS OF A MINOR. "**

**NEW YORK CITY:**

**"THE USE OF A LOCKING DEVICE OR SAFETY LOCK IS ONLY ONE ASPECT OF RESPONSIBLE FIREARMS STORAGE.**

**FOR INCREASED SAFETY, FIREARMS SHOULD BE STORED UNLOADED AND LOCKED IN A LOCATION THAT IS BOTH SEPARATE FROM THEIR AMMUNITION AND INACCESSIBLE TO CHILDREN AND OTHER UNAUTHORIZED PERSONS. "**

**NORTH CAROLINA:**

"IT IS UNLAWFUL TO STORE OR LEAVE A FIREARM THAT CAN BE DISCHARGED IN A MANNER THAT A REASONABLE PERSON SHOULD KNOW IS ACCESSIBLE TO A MINOR. "

**WISCONSIN:**

"IF YOU LEAVE A LOADED FIREARM WITHIN THE REACH OR EASY ACCESS OF A CHILD YOU MAY BE FINED OR IMPRISONED OR BOTH IF THE CHILD IMPROPERLY DISCHARGES, POSSESSES, OR EXHIBITS THE FIREARM. " State laws and regulations concerning firearms change constantly. Please check with your local federally licensed firearm dealer or state police for additional laws and regulations regarding the storage and use of firearms in your state"

**TEXAS:**

"IT IS UNLAWFUL TO STORE, TRANSPORT, OR ABANDON AN UNSECURED FIREARM IN A PLACE WHERE CHILDREN ARE LIKELY TO BE AND CAN OBTAIN ACCESS TO THE FIREARM. "

**IMPORTANT!**

Your firearm is supplied with this manual by the manufacturer.

Insist on receiving the manual from your dealer if the manual is not submitted with the pistol. Read and understand the manual, including the special warnings and precautions before removing this firearm from its package.

**KEEP THIS CARD FOR YOUR RECORD**

Any claim made under this limited warranty must be accompanied by this card.

Name of Owner: \_\_\_\_\_

Address: \_\_\_\_\_

Pistol Model: \_\_\_\_\_

Caliber: \_\_\_\_\_

Serial No. : \_\_\_\_\_

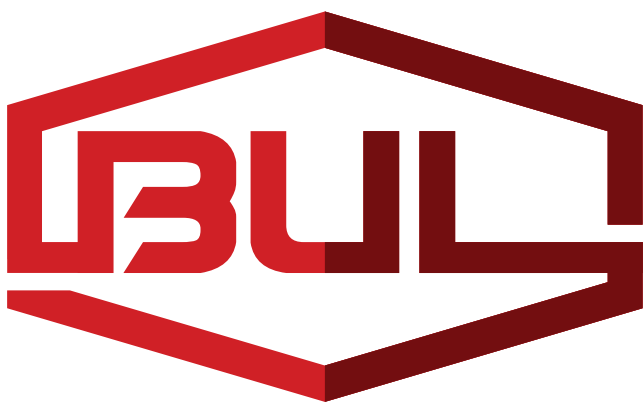
Purchased From (Dealer): \_\_\_\_\_

Dealer's Stamp: \_\_\_\_\_

Dealer's Address: \_\_\_\_\_

Date of Purchase: \_\_\_\_\_

Signature of Owner: \_\_\_\_\_



**ARMORY**

